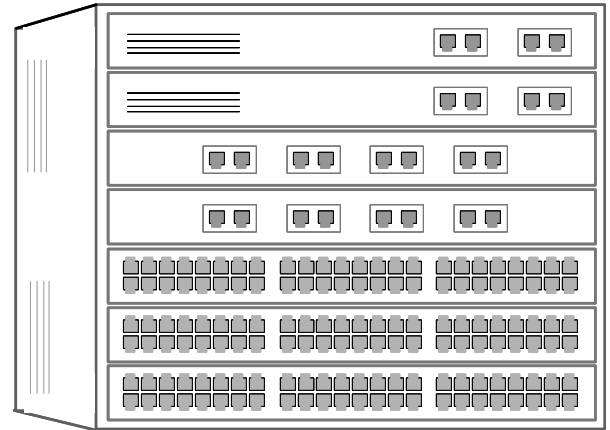


10 Gigabit Ethernet Switching

PMC-Sierra provides exceptional signal integrity SERDES and Retimer devices for Enterprise Switch backplanes and line cards

- Guaranteed Jitter Performance
- Extremely low bit error rates
- Widely deployed proven devices
- Low power and small package size
- Industrial temperature range



Enterprise Ethernet Switch

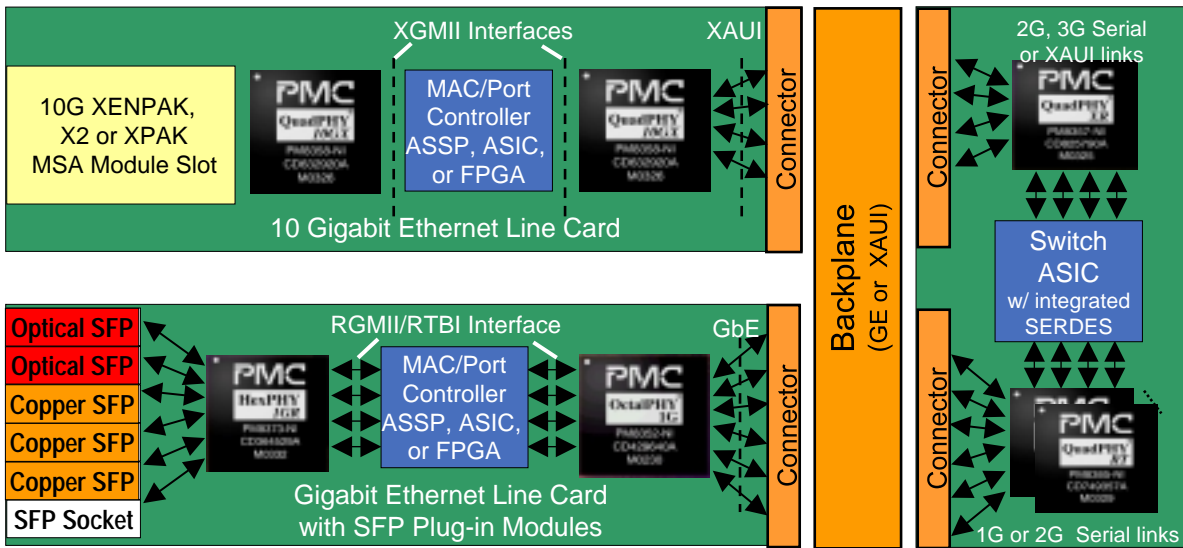
Device	Description
QuadPHY 10GX	• Redundant 10GE/10GFC XGMII to XAUI SERDES
OctalPHY II	• 10GE XGMII to XAUI SERDES
QuadPHY XR	• 4 Port GE Retimer for link extension and standards compliance



High-Performance Gigabit Serial Retiming via the QuadPHY XR

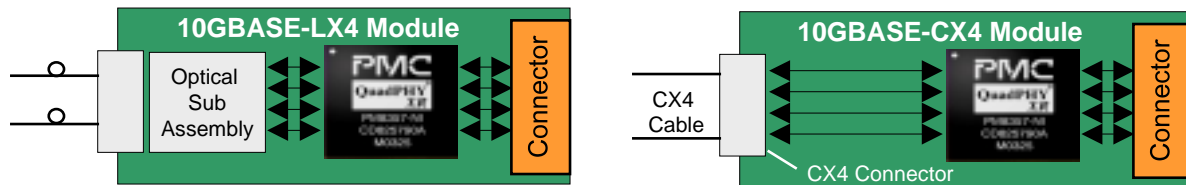
Feature	System Benefit
Redundant High-Speed Serial I/O	• Redundant 10GE/10GFC XGMII to XAUI SERDES
Guaranteed Jitter Performance	• Enables extremely low bit error rates critical for system performance across process and system environment (temperature, voltage) variants
XAUI Retiming	• Extend backplane distances and improve system signal integrity
RX Equalization	• 10GE XGMII to XAUI SERDES
TX Pre-Emphasis	• 10GE XAUI backplane retimer and 10GBASE-CX4 driver

Modular Gigabit Ethernet and 10 Gigabit Ethernet Switch



10G XENPAK, X2, XPAK, or IBPAK Modules

For IEEE 10GBASE-LX4, 10GBASE-CX4, 10G Fibre Channel or Infiniband



Contact Information:

www.pmc-sierra.com/contactSales

SERDES / Retimer Quick Links

For more information on PMC-Sierra's

Portfolio of SerDes and Retimer devices visit:

www.pmc-sierra.com/serdes

Download Data Sheets, Application Notes, White Papers



REGISTERED

PMC
PMC-SIERRA

Thinking you can build on